



AiP74LVC2G157

Single 2-input Data Selector Multiplexer

Product Specification

Specification Revision History:

Version	Date	Description
2024-11-A1	2024-11	New
2025-05-A1	2025-05	Modify the parameters



Contents

1、 General Description.....	3
2、 Block Diagram And Pin Description	4
2.1、 Block Diagram	4
2.2、 Pin Configurations.....	4
2.3、 Pin Description	4
2.4、 Function Table.....	5
3、 Electrical Parameter	5
3.1、 Absolute Maximum Ratings.....	5
3.2、 Recommended Operating Conditions.....	5
3.3、 Electrical Characteristics	6
3.3.1、 DC Characteristics 1	6
3.3.2、 DC Characteristics 2	7
3.3.3、 AC Characteristics 1	8
4、 Testing Circuit	9
4.1、 AC Testing Circuit	9
4.2、 Test Data	9
4.3、 AC Testing Waveforms.....	10
4.4、 Measurement Points	10
5、 Package Information	11
5.1、 TSSOP8.....	11
5.2、 VSSOP8	12
5.3、 XSON8.....	13
6、 Statements And Notes	14
6.1、 The name and content of Hazardous substances or Elements in the product	14
6.2、 Notes	14



1、General Description

The AiP74LVC2G157 is a single 2-line to 1-line data selector multiplexer which select data from two data inputs (A and B) under control of two common data inputs(A/B and G).

The input can be driven from either 3.3V or 5V devices. This feature allows the use of these devices as translators in mixed 3.3V and 5V applications.

Features:

- Wide supply voltage range from 1.65V to 5.5V
- Inputs accept voltages to 5.5 V
- $\pm 24\text{mA}$ output drive at 3.0V
- High-impedance when $V_{CC}=0\text{V}$
- Temperature range: -40°C to $+125^{\circ}\text{C}$
- Packaging information: TSSOP8/VSSOP8/XSON8

Ordering Information:

Reel packing specifications:

Part number	Packaging form	Marking code	Reel quantity	Boxed reel quantity	Notes
AiP74LVC2G157TA8.TR	TSSOP8	AiPHN 2G157	3000 PCS/reel	3000 PCS/box	Dimensions of plastic enclosure: 3.0mm×3.0mm Pin spacing: 0.65mm
AiP74LVC2G157YA8.TR	VSSOP8	AiP HNXX	3000 PCS/reel	3000 PCS/box	Dimensions of plastic enclosure: 2.0mm×2.3mm Pin spacing: 0.50mm
AiP74LVC2G157EB8.TR	XSON8	HN XX	5000 PCS/reel	25000 PCS/box	Dimensions of plastic enclosure: 1.35mm×1.0mm Pin spacing: 0.35mm

Note 1: "XX" refers to variable content, meaning year and package batch serial number.

Note 2: If the physical information is inconsistent with the ordering information, please refer to the actual product.



2、Block Diagram And Pin Description

2.1、Block Diagram

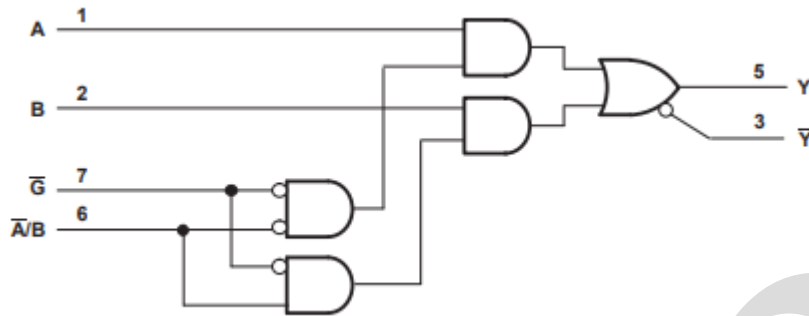
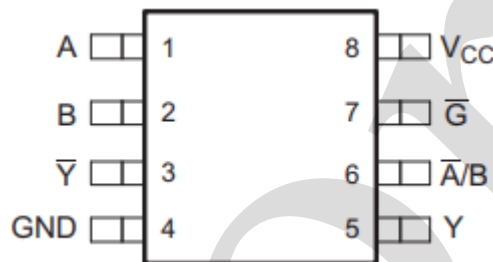


Figure 1. Logic symbol

2.2、Pin Configurations



2.3、Pin Description

Pin No.	Pin Name	Description
1	A	data input
2	B	data input
3	\bar{Y}	data output
4	GND	ground (0V)
5	Y	data input
6	\bar{A}/B	data input
7	\bar{G}	data output
8	V _{CC}	supply voltage



2.4、Function Table

Inputs				Outputs	
\bar{G}	\bar{A}/B	A	B	Y	\bar{Y}
H	X	X	X	L	H
L	L	L	X	L	H
L	L	H	X	H	L
L	H	X	L	L	H
L	H	X	H	H	L

Note: H=HIGH voltage level; L=LOW voltage level.;X=Don't care.

3、Electrical Parameter

3.1、Absolute Maximum Ratings

(Voltages are referenced to GND (ground=0V), unless otherwise specified.)

Parameter	Symbol	Conditions	Min.	Max.	Unit
supply voltage	V_{CC}	-	-0.5	+6.5	V
input voltage	V_I	-	-0.5	+6.5	V
output voltage	V_O	Active mode	-0.5	$V_{CC}+0.5$	V
		Power-down mode; $V_{CC}=0V$	-0.5	+6.5	V
supply current	I_{CC}	-	-	100	mA
ground current	I_{GND}	-	-100	-	mA
input clamping current	I_{IK}	$V_I < 0V$	-50	-	mA
output current	I_O	$V_O=0V$ to V_{CC}	-	± 50	mA
output clamping current	I_{OK}	$V_O > V_{CC}$ or $V_O < 0V$	-	± 50	mA
storage temperature	T_{stg}	-	-65	+150	$^{\circ}C$
soldering temperature	T_L	10s	260		$^{\circ}C$

3.2、Recommended Operating Conditions

Parameter	Symbol	Conditions	Min.	Typ.	Max.	Unit
supply voltage	V_{CC}	-	1.65	-	5.5	V
input voltage	V_I	-	0	-	5.5	V
output voltage	V_O	-	0	-	V_{CC}	V
ambient temperature	T_{amb}	-	-40	-	+125	$^{\circ}C$



3.3、Electrical Characteristics

3.3.1、DC Characteristics 1

($T_{amb}=-40^{\circ}\text{C}$ to $+85^{\circ}\text{C}$, voltages are referenced to GND (ground=0V), unless otherwise specified.)

Parameter	Symbol	V _{CC}	Conditions	Min.	Typ.	Max.	Unit
HIGH-level input voltage	V _{IH}	1.65V to 1.95V	-	0.65V _{CC}	-	5.5	V
		2.3V to 2.7V	-	1.7	-	-	V
		3V to 3.6V	-	2	-	-	V
		4.5V to 5.5V	-	0.7V _{CC}	-	-	V
LOW-level input voltage	V _{IL}	1.65V to 1.95V	-	-	-	0.35V _{CC}	V
		2.3V to 2.7V	-	-	-	0.7	V
		3V to 3.6V	-	-	-	0.8	V
		4.5V to 5.5V	-	-	-	0.3V _{CC}	V
HIGH-level output voltage	V _{OH}	1.65V to 5.5V	I _O =-100uA	V _{CC} -0.1	-	-	V
		1.65V	I _O =-4mA	1.2	-	-	V
		2.3V	I _O =-8mA	1.9	-	-	V
		3.0V	I _O =-12mA	2.4	-	-	V
		3.0V	I _O =-24mA	2.3	-	-	V
LOW-level output voltage	V _{OL}	1.65V to 5.5V	I _O =100uA	-	-	0.10	V
		1.65V	I _O =4mA	-	-	0.45	V
		2.3V	I _O =8mA	-	-	0.30	V
		3.0V	I _O =12mA	-	-	0.40	V
		3.0V	I _O =24mA	-	-	0.55	V
4.5V	I _O =32mA	-	-	0.55	V		
input leakage current	I _I	0V to 5.5V	V _I =5.5V or GND	-	-	±5	uA
power-off leakage current	I _{OFF}	0V	V _I or V _O =5.5V	-	-	±10	uA
supply current	I _{CC}	1.65V to 5.5V	V _I =5.5V or GND; I _O =0A	-	-	10	uA
additional supply current	ΔI _{CC}	3V to 5.5V	one input at V _{CC} -0.6V; other inputs at V _{CC} or GND	-	-	500	uA

Note: All typical values are measured at $T_{amb}=25^{\circ}\text{C}$.



3.3.2、DC Characteristics 2

($T_{amb}=-40^{\circ}\text{C}$ to $+125^{\circ}\text{C}$, voltages are referenced to GND (ground = 0V), unless otherwise specified.)

Parameter	Symbol	V _{CC}	Conditions	Min.	Typ.	Max.	Unit
HIGH-level input voltage	V _{IH}	1.65V to 1.95V	-	0.65V _{CC}	-	5.5	V
		2.3V to 2.7V	-	1.7	-	-	V
		3V to 3.6V	-	2	-	-	V
		4.5V to 5.5V	-	0.7V _{CC}	-	-	V
LOW-level input voltage	V _{IL}	1.65V to 1.95V	-	-	-	0.35V _{CC}	V
		2.3V to 2.7V	-	-	-	0.7	V
		3V to 3.6V	-	-	-	0.8	V
		4.5V to 5.5V	-	-	-	0.3V _{CC}	V
HIGH-level output voltage	V _{OH}	1.65V to 5.5V	I _O =-100uA	V _{CC} -0.1	-	-	V
		1.65V	I _O =-4mA	0.95	-	-	V
		2.3V	I _O =-8mA	1.7	-	-	V
		3.0V	I _O =-12mA	1.9	-	-	V
		3.0V	I _O =-24mA	2.0	-	-	V
		4.5V	I _O =-32mA	3.4	-	-	V
LOW-level output voltage	V _{OL}	1.65V to 5.5V	I _O =100uA	-	-	0.10	V
		1.65V	I _O =4mA	-	-	0.70	V
		2.3V	I _O =8mA	-	-	0.45	V
		3.0V	I _O =12mA	-	-	0.60	V
		3.0V	I _O =24mA	-	-	0.80	V
		4.5V	I _O =32mA	-	-	0.80	V
input leakage current	I _I	0V to 5.5V	V _I =5.5V or GND	-	-	±5	uA
power-off leakage current	I _{OFF}	0V	V _I or V _O =5.5V	-	-	±10	uA
supply current	I _{CC}	1.65V to 5.5V	V _I =5.5V or GND; I _O =0A	-	-	10	uA
additional supply current	ΔI _{CC}	3V to 5.5V	one input at V _{CC} -0.6V; other inputs at V _{CC} or GND	-	-	500	uA



3.3.3、AC Characteristics 1

($T_{amb}=-40^{\circ}C$ to $+85^{\circ}C$, voltages are referenced to GND (ground = 0V), unless otherwise specified.)

Parameter	Symbol	V _{CC}	Conditions	Min.	Typ.	Max.	Unit
A, B to Y, \bar{Y} propagation delay	t_{pd}	1.8V \pm 0.15V	see Figure 3	-	-	14	ns
		2.5V \pm 0.2V		-	-	8	ns
		3.3V \pm 0.3V		-	-	6	ns
		5V \pm 0.5V		-	-	4	ns
\bar{A}/\bar{B} to Y, \bar{Y} propagation delay		1.8V \pm 0.15V		-	-	16	ns
		2.5V \pm 0.2V		-	-	9	ns
		3.3V \pm 0.3V		-	-	6	ns
		5V \pm 0.5V		-	-	4	ns
\bar{G} to Y, \bar{Y} propagation delay		1.8V \pm 0.15V		-	-	14	ns
		2.5V \pm 0.2V		-	-	8	ns
		3.3V \pm 0.3V		-	-	6	ns
		5V \pm 0.5V		-	-	4	ns

Note: Typical values are measured at $T_{amb}=25^{\circ}C$ and $V_{CC}=1.8V, 2.5V, 2.7V, 3.3V$ and $5.0V$ respectively.

3.3.4、AC Characteristics 2

($T_{amb}=-40^{\circ}C$ to $+125^{\circ}C$, voltages are referenced to GND (ground = 0V), unless otherwise specified.)

Parameter	Symbol	V _{CC}	Conditions	Min.	Typ.	Max.	Unit
A, B to Y, \bar{Y} propagation delay	t_{pd}	1.8V \pm 0.15V	see Figure 3	-	-	16.8	ns
		2.5V \pm 0.2V		-	-	9.6	ns
		3.3V \pm 0.3V		-	-	7.2	ns
		5V \pm 0.5V		-	-	4.8	ns
\bar{A}/\bar{B} to Y, \bar{Y} propagation delay		1.8V \pm 0.15V		-	-	19.2	ns
		2.5V \pm 0.2V		-	-	10.8	ns
		3.3V \pm 0.3V		-	-	7.2	ns
		5V \pm 0.5V		-	-	4.8	ns
\bar{G} to Y, \bar{Y} propagation delay		1.8V \pm 0.15V		-	-	16.8	ns
		2.5V \pm 0.2V		-	-	9.6	ns
		3.3V \pm 0.3V		-	-	7.2	ns
		5V \pm 0.5V		-	-	4.8	ns



4、Testing Circuit

4.1、AC Testing Circuit

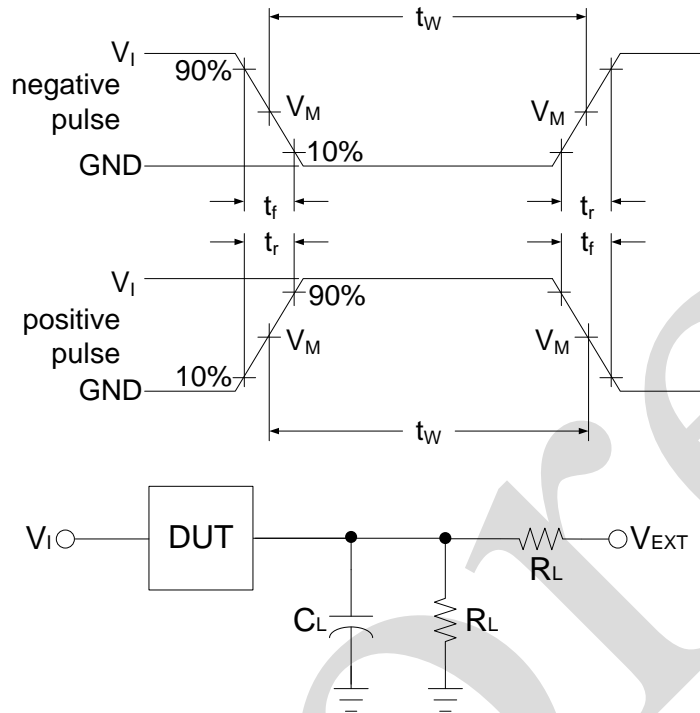


Figure 2. AC Testing Circuit

Definitions for test circuit:

R_L =Load resistance.

C_L =Load capacitance including jig and probe capacitance.

4.2、Test Data

Supply voltage	Input		Load		V_{EXT}
V_{CC}	V_I	t_r, t_f	C_L	R_L	t_{PLH}, t_{PHL}
1.8V±0.15V	V_{CC}	≤ 2ns	30pF	1kΩ	open
2.5V±0.2V	V_{CC}	≤ 2ns	30pF	500Ω	open
3.3V±0.3V	3V	≤ 2.5ns	50pF	500Ω	open
5V±0.5V	V_{CC}	≤ 2.5ns	50pF	500Ω	open



4.3、AC Testing Waveforms

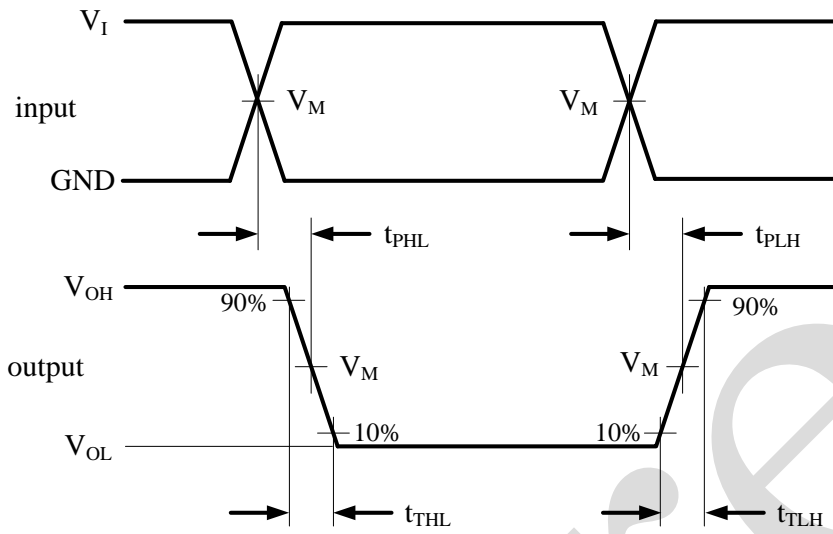


Figure 3. The data input to output propagation delays

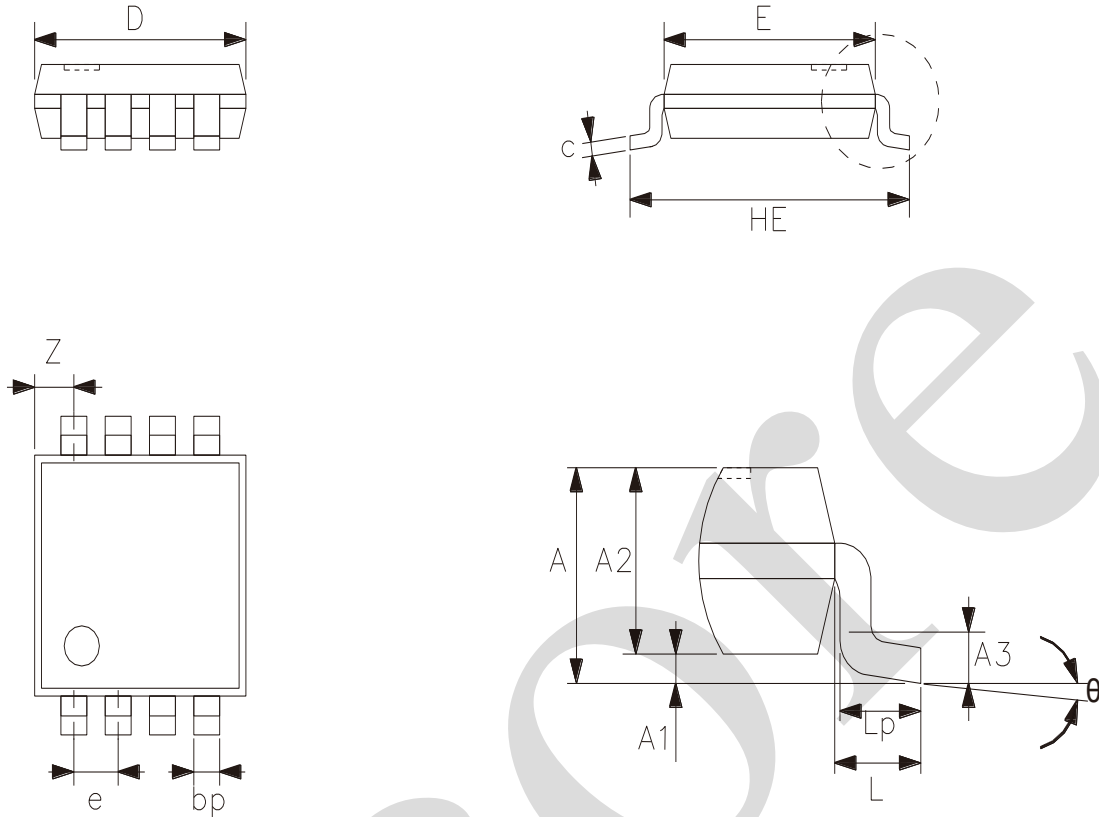
4.4、Measurement Points

Supply voltage	Input	Output
V_{CC}	V_M	V_M
$1.8V \pm 0.15V$	$0.5 \times V_{CC}$	$0.5 \times V_{CC}$
$2.5V \pm 0.2V$	$0.5 \times V_{CC}$	$0.5 \times V_{CC}$
$3.3V \pm 0.3V$	1.5V	1.5V
$5V \pm 0.5V$	$0.5 \times V_{CC}$	$0.5 \times V_{CC}$



5、Package Information

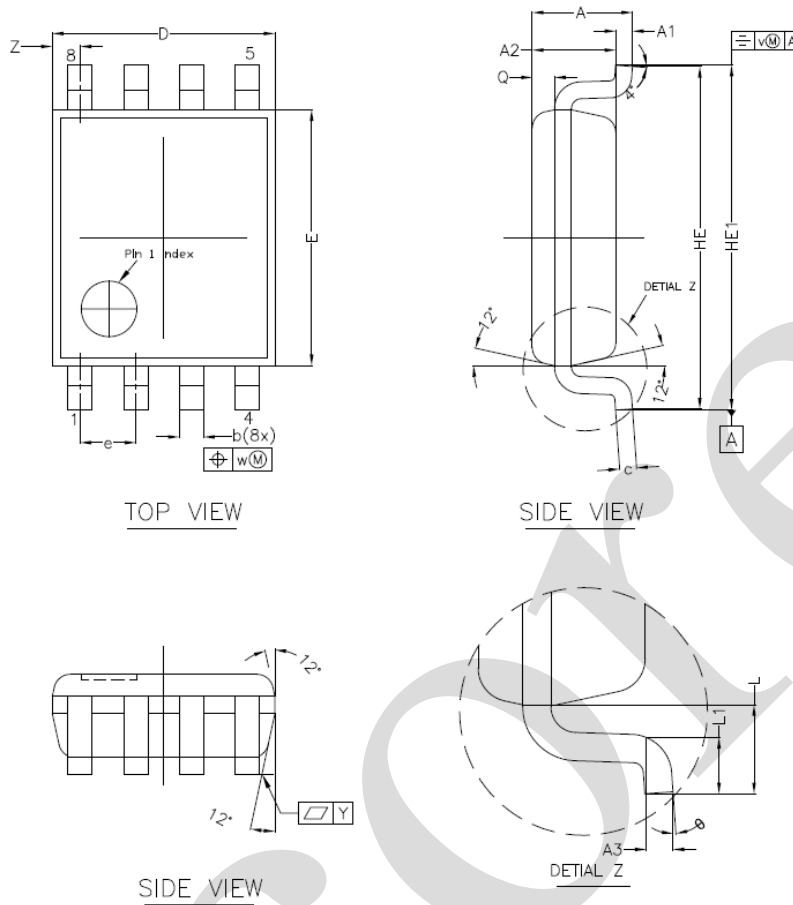
5.1、TSSOP8



2023/12/A	Dimensions In Millimeters	
Symbol	Min	Max
A	—	1.10
A1	0	0.15
A2	0.75	0.95
A3	0.25	
bp	0.22	0.38
c	0.08	0.18
D	2.90	3.10
E	2.90	3.10
HE	3.90	4.10
L	0.50	
Lp	0.33	0.47
e	0.65	
Z	0.35	0.70
θ	0°	8°



5.2、VSSOP8

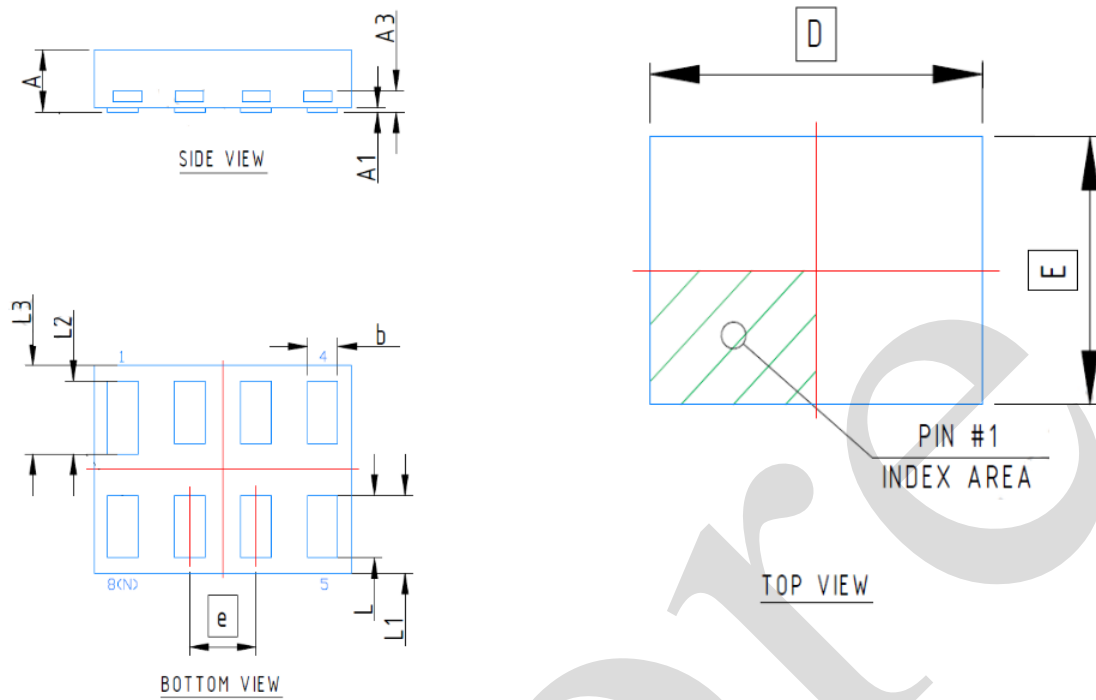


NOTES
 1.0 COP
 DIE ATTA
 2.0 D E

2023/12/A	Dimensions In Millimeters	
Symbol	Min	Max
A	—	1.00
A1	0.00	0.15
A2	0.60	0.85
A3	0.12	
Q	0.19	0.21
b	0.17	0.27
c	0.08	0.23
D	1.90	2.10
E	2.20	2.40
HE	3.00	3.20
HE1	3.00	3.40
e	0.50	
L	0.40	
L1	0.15	0.40
Y	0.10	
Z	0.10	0.40
θ	0°	8°



5.3、XSON8



2023/12/A	Dimensions In Millimeters		
	Symbol	Min	Max
	A	0.28	0.32
	A1	0.00	0.05
	A3	0.10	
	b	0.11	0.21
	D	1.35	
	E	1.00	
	e	0.35	
	L	0.25	0.35
	L1	0.275	0.475
	L2	0.30	0.40
	L3	0.325	0.525



6、 Statements And Notes

6.1、 The name and content of Hazardous substances or Elements in the product

Part name	Hazardous substances or Elements									
	Lead and lead compounds	Mercury and mercury compounds	Cadmium and cadmium compounds	Hexavalent chromium compounds	Polybrominated biphenyls	Polybrominated biphenyl ethers	Dibutyl phthalate	Butylbenzyl phthalate	Di-2-ethylhexyl phthalate	Diisobutyl phthalate
Lead frame	○	○	○	○	○	○	○	○	○	○
Plastic resin	○	○	○	○	○	○	○	○	○	○
Chip	○	○	○	○	○	○	○	○	○	○
The lead	○	○	○	○	○	○	○	○	○	○
Plastic sheet installed	○	○	○	○	○	○	○	○	○	○
explanation	○: Indicates that the content of hazardous substances or elements in the detection limit of the following the SJ/T11363-2006 standard. ×: Indicates that the content of hazardous substances or elements exceeding the SJ/T11363-2006 Standard limit requirements.									

6.2、 Notes

We recommend you to read this chapter carefully before using this product.

The information in this chapter is provided for reference only and i-Core disclaims any express or implied warranties, including but not limited to applicability, special application or non-infringement of third party rights.

This product is not suitable for critical equipment such as life-saving, life-sustaining or safety equipment. It is also not suitable for applications that may result in personal injury, death, or serious property or environmental damage due to product malfunction or failure. I-Core will not be liable for any damages incurred by the customers at their own risk for such applications.

The customer is responsible for conducting all necessary tests i-Core's application to avoid failure in the application or the application of the customer's third party users. I-Core does not accept any liability.

The Company reserves the right to change or improve the information published in this chapter at any time. The information in this chapter are subject to change without notice. We recommend the customer to consult our sales staff before purchasing.

Please obtain related materials form i-Core's regular channels and we are not responsible for its content if it is provided by sources other than our company.

In case of any conflict between the Chinese and English version, the version is subject to the Chinese one.